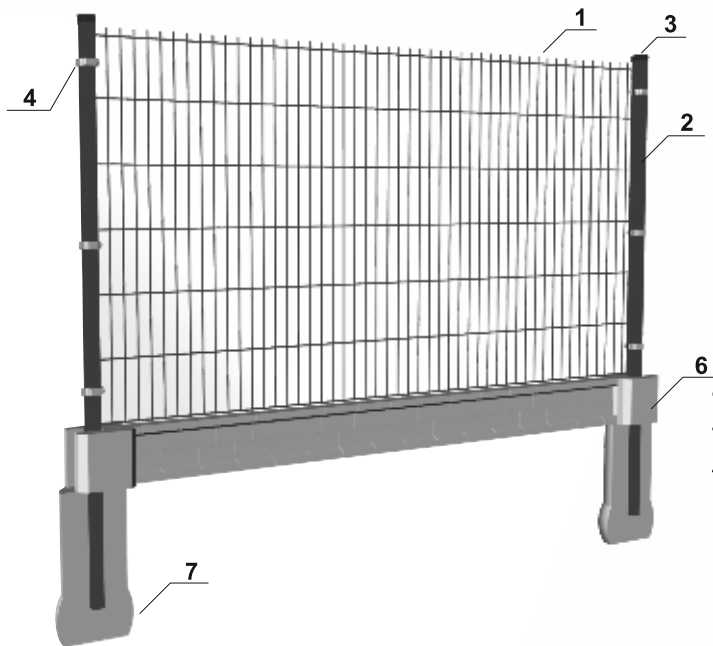


**FLAT SYSTEM**



**PANEL FENCES - FLAT SYSTEM**



1	FENCE PANEL
2	PANEL POST 40x60
3	CAP
4	MOUNTING CLAMP
5	PRECAST CONCRETE
6	CONCRETE CONNECTOR
7	MONOLITHIC FOUNDATION

The FLAT SYSTEM panels are welded according to the standard: PN-EN 10223-7:2013-05. Anticorrosive protection – hot-dip galvanisation performed in accordance with the PN-EN ISO 1461 standard, or galvanisation and additional powder coating, performed in a modern powder paint shop, certified with the QUALISTEELCOAT, license number E-1302.

The FLAT SYSTEM is a combination of durability, simple assembly and a wide range of uses. It works both as residential and industrial fencing. Its functionality, aesthetics and ease of assembly result in its broad application in sports facilities, military facilities, airports, allotment gardens and parks.

The FLAT SYSTEM is a flat panel (with no bends) made of vertical wires with double horizontal wires. In order to meet all your expectations, we produce our panels in various sizes and three wire thickness versions:

- FLAT 5/4/5 - Ø 4 mm +/-0.5 mm-vertical wire, Ø 5 mm +/-0.5 mm - double horizontal wires - 46 vertical wires
- FLAT 6/5/6 - Ø 5 mm +/-0.5 mm-vertical wire, Ø 6 mm +/-0.5 mm - double horizontal wires - 51 vertical wires
- FLAT 8/6/8 - Ø 6 mm +/-0.5 mm-vertical wire, Ø 8 mm +/-0.5 mm - double horizontal wires - 51 vertical wires

Total panel width: 2505 mm

Axial spacing between vertical wires:

55mm +/- 3mm (FLAT 5/4/5), 50mm +/- 3mm (FLAT 6/5/6 and FLAT 8/6/8).

Axial spacing between horizontal wires: 200 mm +/- 4mm (FLAT 5/4/5, FLAT 6/5/6 and FLAT 8/6/8).

Standard colours: green RAL6005, anthracite grey RAL7016, brown RAL8017, black RAL9005.

We can also deliver bespoke panels in any colour from the RAL colour chart.

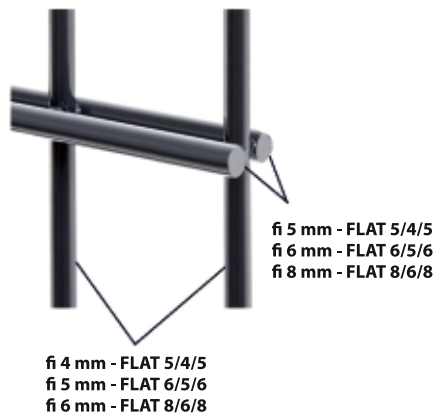
A system of clamps allows the Fokus panel to be mounted to posts made with a 60X40 profile:

- between posts, using the OM-1 clamp (post spacing 2.58 m)
- to the post, using the OM-2 clamp (post spacing 2.51 m)

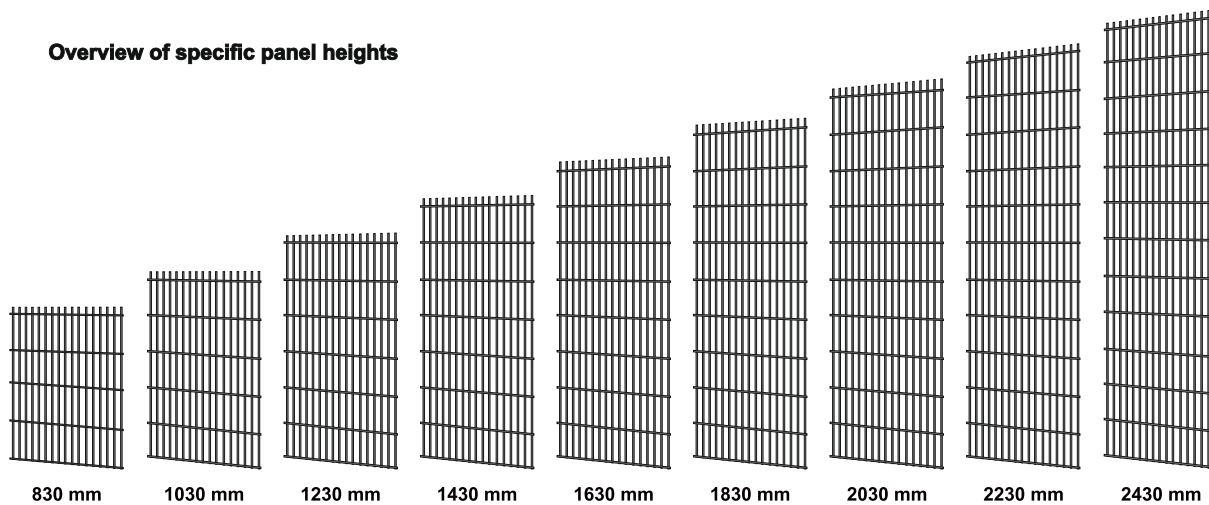
**FLAT SYSTEM**



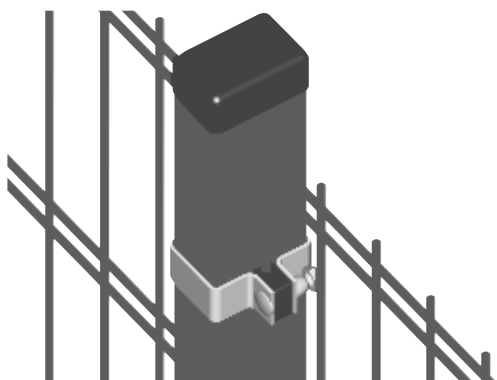
Panel height (mm)	Post height (mm)	Number of clamps
830	1400	2
1030	1600	2
1230	1800	2
1430	2000	3
1630	2200	3
1830	2600	4
2030	2800	4
2230	3000	4
2430	3200	4



**Overview of specific panel heights**



**Assembly method – OM-1 clamp**



**Assembly method – OM-2 clamp**

